

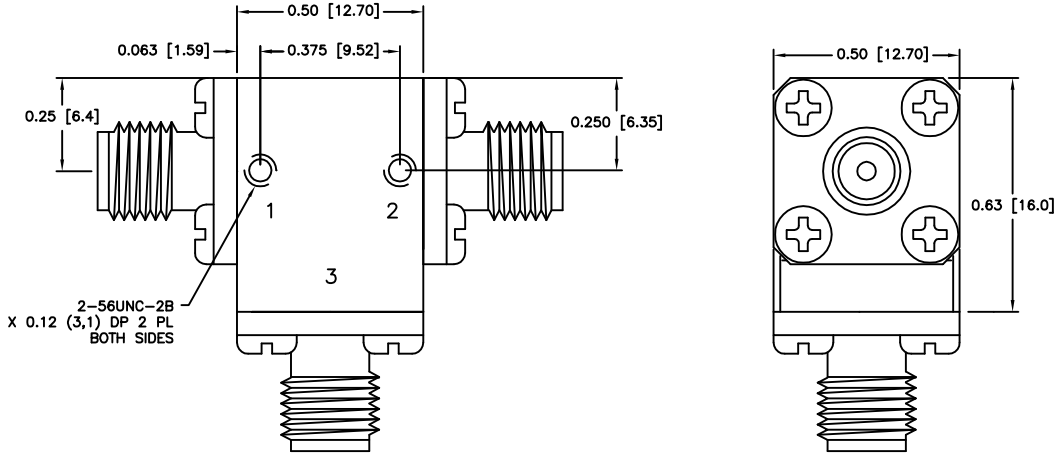
ORION MICROWAVE
PROPRIETARY INFORMATION

THIS DOCUMENT IS THE SOLE PROPERTY OF ORION MICROWAVE THE RELEASE OF DATA CONTAINED IN THIS DOCUMENT AND THE REPRODUCTION OF THIS DOCUMENT, IN WHOLE OR IN PART, WITHOUT THE WRITTEN PERMISSION OF ORION MICROWAVE ARE PROHIBITED.

THIS DRAWING HAS BEEN GENERATED BY A CAD SYSTEM. CHANGES SHALL ONLY BE INCORPORATED AS DIRECTED BY THE DESIGN ACTIVITY. DO NOT REVISE MANUALLY.

REVISIONS

REV.	DESCRIPTION	DATE	APPROVED
A	INITIAL RELEASE	7/20/06	LT



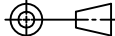
ELECTRICAL SPECIFICATION:

FREQUENCY RANGE:	10.000 TO 15.000 GHz
INSERTION LOSS:	0.50 dB MAX. (0.40 dB TYP.)
ISOLATION:	20 dB MIN.
VSWR:	1.25:1
TEMPERATURE:	0°C TO +70°C
POWER RATING:	FW: 50 WATTS
CONNECTORS:	SMA (F) ON 3-PORTS

UNLESS OTHERWISE SPECIFIED

- * INTERPRET DRAWING IAW ASME Y14.100-2000
- * DIMENSIONING & TOLERANCING IAW ASME Y14.5-1994
- * PARENTHEetical INFORMATION FOR REFERENCE ONLY
- * DIMENSIONAL LIMITS APPLY BEFORE PROCESSES
- * DIMENSIONS ARE IN INCHES [MILLIMETERS]:
- * TOLERANCES ARE: ANGLES ±1.0°
- 2 PLACE DECIMAL ±.01 [±.25]
- 3 PLACE DECIMAL ±.005 [±.13]
- * SURFACE FINISH
- * REMOVE ALL BURRS AND SHARP EDGES .010 [.25] RAD MAX.
- * CONCENTRICITY MACHINED DIA: .002 [.05] FIM
- * MACHINED TOOL MISMATCH .002 [.05] MAX.

THIRD ANGLE PROJECTION



APPROVALS		DATE
DESIGNER	A. McTran	07/15/06
ENGINEER	A. McTran	7/15/06
MFG. ENGR.		
Q.A.	L. TRAN	7/17/06
PROG. MGMT/MKT		



OUTLINE, CS12R5
CIRCULATOR, COAXIAL

SIZE	CAGE NO.	DWG NO.	REV.
A	51RH9	150-0058-001	A

DO NOT SCALE DRAWING

SCALE: 1/1

SHEET 1 OF 1